

**Yuandong**

奉化市远东车辆部件有限公司

Fenghua Yuandong Auto Parts Limited Company

**Hawks**

奉化市哈克斯自动化设备有限公司

Fenghua Hawks Automatic Equipment Limited Company

# 2V Series Two-position Two-Way Solenoid Valve

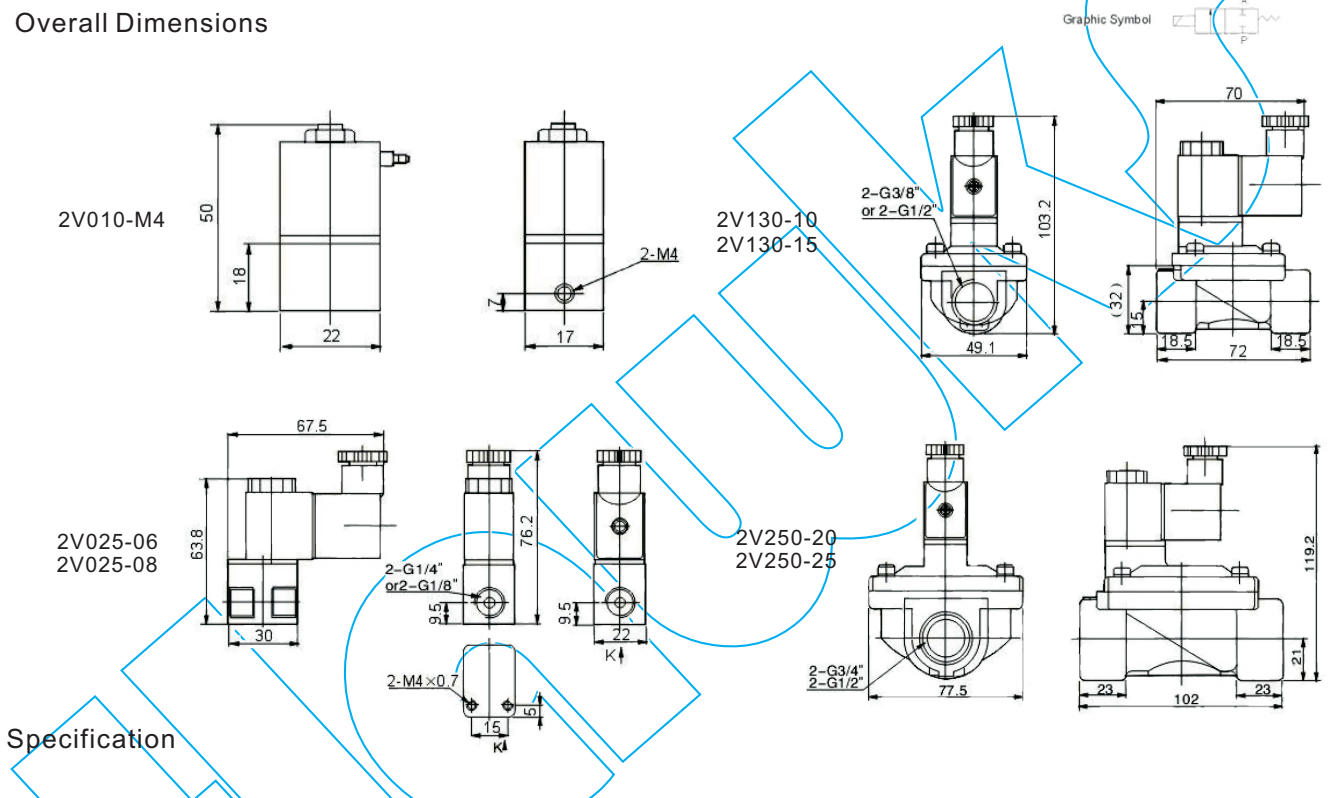


Ordering Code

**2V      025      06   -   AC110V   -   V**

<b>Specification Code</b> 2V: Two-position Two-way Solenoid Valve	<b>Aperture of Flow Rate</b> 010: 1.0mm 025: 2.5mm 130: 13mm 250: 25mm	<b>Port Size</b> M4: M4×0.7 06: G1/8" 08: G1/4" 10: G3/8" 15: G1/2" 20: G3/4" 25: G1"	<b>Standard Voltage</b> DC12V DC24V AC24V 50Hz/60Hz AC110V 50Hz/60Hz AC220V 50Hz/60Hz AC380V 50Hz/60Hz	<b>Oil Seal Code</b> Blank: NBK V: viton (For High temperature)
--	--	--	--	--

Overall Dimensions



Specification

Model	2V010-M4	2V025-06	2V025-08	2V130-10	2V130-15	2V250-20	2V250-25
Working Medium	Air, Water, Oil						
Motion Pattern	Direct Drive Type			Guide Type			
Type	Normal Close Type						
Aperture of Flow Rate (mm)	1	2.5		13			25
CV Value	0.1	0.23		6.2			23
Port Size	M4×0.7	G1/8"	G1/4"	G3/8"	G1/2"	G3/4"	G1"
Operation Fluid Viscosity	20 CST (Below)						
Working-pressure	Air, Water, Oil 0.05~0.7MPa						
Max. Pressure Resistance	1.2	1.6				1	
Operating Temperature Range	-10~+80						
Voltage Range	±10%						
Protect Class	IP65						
Power Consumption	AC: 4.5VA DC: 3W						
Insulation	F Class						
Material of Body	Aluminum or Brass (Nickel coated)			Brass			
Material of Oil Seal	NBR or VITON			NBR or VITON			
Shortest Excitation Time	0.05 Second						

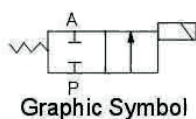
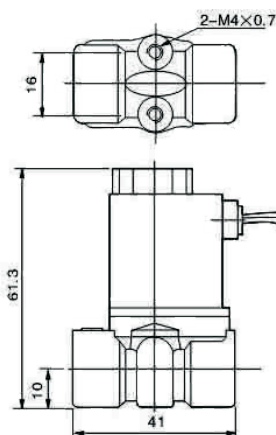
## 2P Series Two-position Two-Way Solenoid Valve



Ordering Code

<b>2P</b>	<b>025</b>	<b>06</b>	<b>- AC110V</b>	<b>- W</b>
<b>Specification Code</b> 2P:Two-position Two-way Solenoid Valve(Reinforced plastic steel type)	<b>Aperture of Flow Rate</b> 025:2.5mm	<b>Port Size</b> 06:G1/8" 08:G1/4"	<b>Standard Voltage</b> DC12V DC24V AC24V 50Hz/60Hz AC110V 50Hz/60Hz AC220V 50Hz/60Hz AC380V 50Hz/60Hz	<b>Wiring Form</b> Blank:Standard Connector LD:Brown with Lighting Connector LD1:White with Lighting Connector W:Lead Wire Type

Overall Dimensions



Specification

Model	2P025-06	2P025-08
Working Medium	Air,Water,Oil,gas	
Motion Pattern	Direct Drive Type	
Type	Normal Close Type	
Aperture of Flow Rate(mm)	2.5	
CV Value	0.23	
Joint Pipe Bore	1/8"	1/4"
Operation Fluid Viscosity	20 CST(Below)	
Working-pressure	0~0.7 MPa	
Max. Pressure Resistance	1.0 MPa	
Operating Temperature	-5~80℃	
Voltage Range	±10%	
Material of Body	Engineering Plastic	
Material of Oil Seal	NBR or VITON	

## 2W Series Two-position Two-Way Direct Drive Type Solenoid Valve



Ordering Code

<b>2W</b>	<b>025</b>	<b>06</b>	<b>- AC110V</b>	<b>- W</b>
<b>Specification Code</b> 2W:Two-position Two-way Solenoid valve direct drive type 2WH:Two-position Two-way solenoid valve(High pressure Type)	<b>Aperture of Flow Rate</b> 012:1.2mm 020:2.0mm 025:2.5mm 040:4.0mm	<b>Port Size</b> 06:G1/8" 08:G1/4" 10:G3/8"	<b>Standard Voltage</b> DC12V DC24V AC24V 50Hz/60Hz AC36V 50Hz/60Hz AC110V 50Hz/60Hz AC220V 50Hz/60Hz AC380V 50Hz/60Hz	<b>Wiring Form</b> Blank:NBR E:EPDM(for steam) V:VITON(for high- temperature gas and vacuum)

Specification

Model	2W025-06	2W025-08	2W040-10	2WH012-06	2WH012-08	2WH020-10
Working Medium	Air,Water,Oil,Gas					
Motion Pattern	Direct Drive Type					
Type	Normal Close Type					
Aperture of Flow Rate(mm)	2.5		4	1.2		2
CV Value	0.23		0.6	0.05		0.15
Port Size	1/8"	1/4"	3/8"	1/8"	1/4"	3/8"
Operation Fluid Viscosity	20 CST(Below)					
Working-pressure	Air,Water,Oil,gas: 0~0.7MPa			Air,Water,Oil: 0~2.0MPa		
Max. Pressure Resistance MPa	1			3.5		
Operating Temperature ℃	-5 ~ 80℃					
Voltage Range	±10%					
Material of Body	Brass					
Material of Oil Seal	NBR,EPDM or VITON					

# 2W(Large Aperture) Series Two-position Two-Way Direct Drive Type Solenoid Valve

Ordering Code



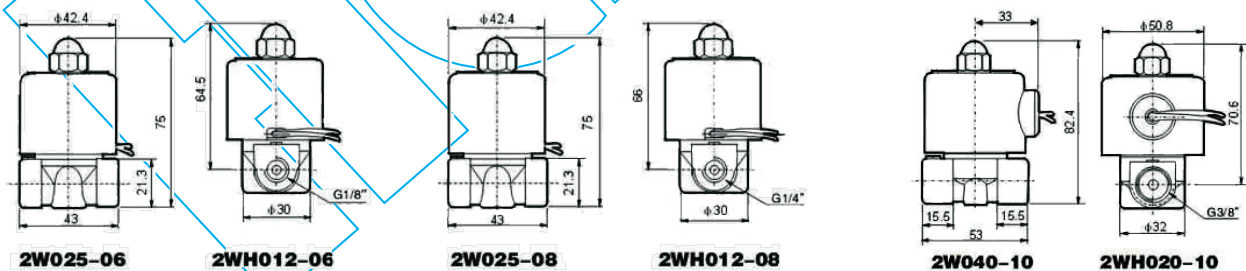
2W	160	15	- AC110V	- V
<b>Specification Code</b> 2W:Two-position Two-way Solenoid Valve direct drive type	<b>Aperture of Flow Rate</b> 160:16mm 200:20mm 250:25mm 350:35mm 400:40mm 500:50mm	<b>Port Size</b> 10:G3/8" 15:G1/2" 20:G3/4" 25:G1" 35:G1 1/4" 40:G1 1/2" 50:G2"	<b>Standard Voltage</b> DC12V DC24V AC24V 50Hz/60Hz AC36V 50Hz/60Hz AC110V 50Hz/60Hz AC220V 50Hz/60Hz AC380V 50Hz/60Hz	<b>Wiring Form</b> Blank:NBR V:VITON(for high-temperature)



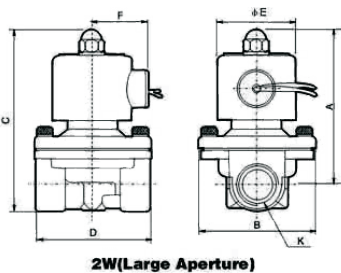
## Specification

Model	2W160-10	2W160-15	2W200-20	2W250-25	2W350-35	2W400-40	2W500-50
Working Medium	Air, Water, Oil, Gas						
Motion Pattern	Direct Drive Type						
Type	Normal Close Type						
Aperture of Flow Rate(mm)	16		20	28	35	40	50
CV Value	4.8		7.6	12	24	29	48
Port Size	G3/8"	G1/2"	G3/4"	G1"	G1 1/4"	G1 1/2"	G2"
Operation Fluid Viscosity	20 CST(Below)						
Working-pressure MPa	Air: 0~0.7MPa; Water: 0~0.5MPa; Oil: 0~0.5MPa						
Max. Pressure Resistance	1.0MPa						
Operating Temperature ℃	-5~+80℃						
Voltage Range	±10%						
Material of Body	Brass (Material of stainless steel need special explain)						
Material of Oil Seal	NBR or VITON						

## Overall Dimensions



## Dimension Sheet



Model	A	B	C	D	E	F	K
2W160-10	101.5	57	117	69	50	36	G3/8"
2W160-15	101.5	57	117	69	50	36	G1/2"
2W200-20	107	57	123.5	73	50	36	G3/4"
2W250-25	111.5	73.5	134.5	99	50	36	G1"
2W350-35	142	95	172	123	70.5	56	G1 1/4"
2W400-40	142	95	172	123	70.5	56	G1 1/2"
2W500-50	172	123	209	168	70.5	56	G2"

# 2L Two-position Two-Way Solenoid Valve



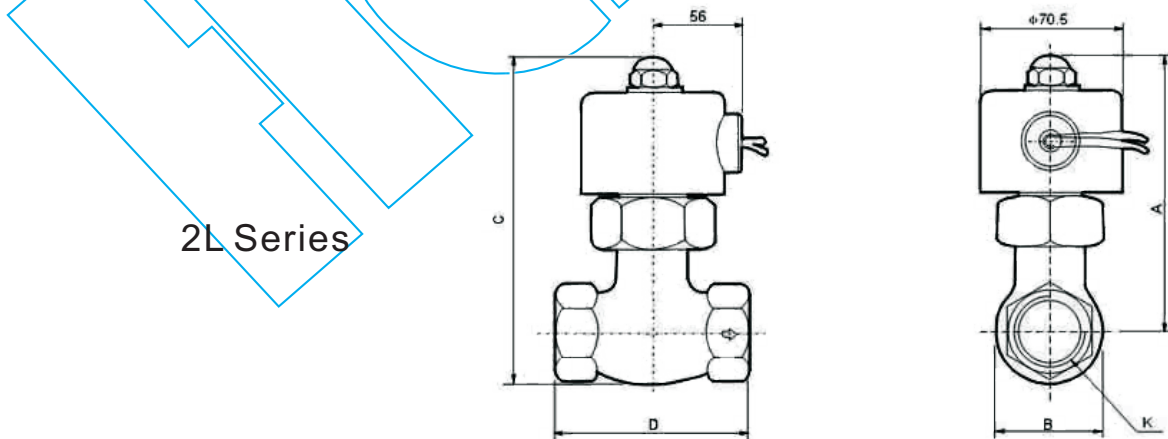
Ordering Code

<b>2L</b>	<b>170</b>	<b>15</b>	<b>- AC110V</b>
<b>Specification Code</b> 2L:Steam type Two-position Two-way Solenoid Valve	<b>Aperture of Flow Rate</b> 170:17mm 200:22mm 300:30mm 500:50mm	<b>Port Size</b> 10:G3/8" 15:G1/2" 20:G3/4" 25:G1" 35:G1 1/4" 40:G1 1/2" 50:G2"	<b>Standard Voltage</b> DC12V DC24V AC24V 50Hz/60Hz AC36V 50Hz/60Hz AC110V 50Hz/60Hz AC220V 50Hz/60Hz AC380V 50Hz/60Hz

## Specification

Model	2L170-10	2L170-15	2L170-20	2L200-25	2L300-35	2L300-40	2L500-50
Working Medium	Air, Water, Steam						
Motion Pattern	Guide Type						
Type	Normal Close Type						
Aperture of Flow Rate(mm)	17		22		30		50
CV Value	4.8		12		20		48
Joint Pipe Bore	G3/8"	G1/2"	G3/4"	G1"	G1 1/4"	G1 1/2"	G2"
Operation Fluid Viscosity	20 CST(Below)						
Working-pressure MPa	Air, Water, Steam: 0.1~1.5MPa						
Max. Pressure Resistance MPa	1.5MPa						
Operating Temperature °C	-5 ~ +80°C						
Voltage Range	±10%						
Material of Body	Brass						
Material of Oil Seal	PTFE						

## Overall Dimensions



2L Series

## Dimension Sheet

Model	A	B	C	D	K
2L170-10	125	42	146	82	G3/8"
2L170-15	125	42	146	82	G1/2"
2L170-20	125	42	146	82	G3/4"
2L200-25	136	52	162	90.5	G1"
2L300-35	148	74	185	111	G1 1/4"
2L300-40	148	74	185	111	G1 1/2"
2L500-50	176	86	223	163	G2"



# VX Series Two-position Two-Way Solenoid Valve



Ordering Code

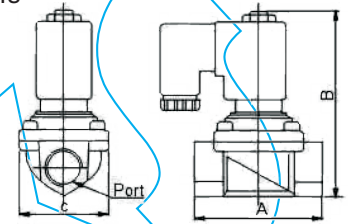
**VX2120 - 08 - AC220V**

Specification Code	Port Size	Standard Voltage
	06:G1/8"	DC12V
	08:G1/4"	DC24V
	10:G3/8"	AC24V 50Hz/60Hz
	15:G1/2"	AC110V 50Hz/60Hz
		AC220V 50Hz/60Hz
		AC380V 50Hz/60Hz

Specification

Model	VX2120-06	VX2120-08	VX2120-10	VX2120-15
Working Medium	Air, Water, Steam			
Motion Pattern	Direct Drive Type			
Type	Normal Close Type			
Working-pressure MPa	0~1.0MPa			
Aperture of Flow Rate(mm)	3		13	
Joint Pipe Bore	G1/8"	G1/4"	G3/8"	G1/2"
Operating Temperature °C	-5~150°C		-5~80°C	
Material of Oil Seal	VITON		NBR	

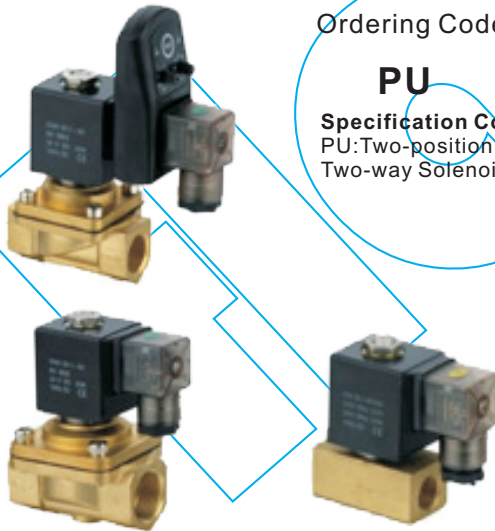
Overall Dimensions



Dimension Sheet

Model	Port	A	B	C
VX2120-06	G1/8"	25	40	64
VX2120-08	G1/4"	25	40	64
VX2120-10	G3/8"	48	68	110
VX2120-15	G1/2"	48	68	110

# PU Series Two-position Two-Way Solenoid Valve

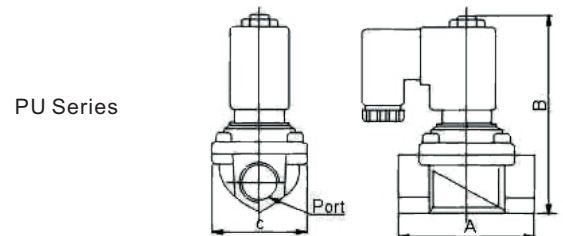


Ordering Code

**PU 220 - 01 - AC110V - E**

Specification Code	Motion Pattern	Port Size	Standard Voltage	Oil Seal Code
PU:Two-position	200:Direct drive	01:G1/8" 02:G1/4"	DC12V	Blank:NBR
Two-way Solenoid	Type	03:G3/8" 04:G1/2"	DC24V	V:VITON
	225:Guid Type	06:G3/4" 08:G1"	AC24V 50Hz/60Hz	E:EPDM
		12:G1/4" 14:G1/2"	AC110V 50Hz/60Hz	
		20:G2"	AC220V 50Hz/60Hz	
			AC380V 50Hz/60Hz	

Overall Dimensions



PU Series

Specification

Model	PU220-01	PU220-02	PU220-03	PU220-04	PU220-06	PU220-08
Working Medium	Air, Water, Oil					
Motion Pattern	220: Direct Drive Type / 225: Guid Type					
Type	Normal Close Type					
Working-pressure MPa	0~0.7MPa					
Max. Pressure Resistance	1.05MPa					
Aperture of Flow Rate(mm)	1.5	2.3	8	13	20	25
CV	0.1	0.18	1	4	8.6	11
Joint Pipe Bore	G1/8"	G1/4"	G3/8"	G1/2"	G3/4"	G1"
Operating Temperature °C	-5~+80°C					
Operation Fluid Viscosity	50 CST					

Dimension Sheet

Model	Port	A	B	C
PU220-01	G1/8"	22	72	22
PU220-02	G1/4"	35	75.5	25.4
PU220-03	G3/8"	55	79.5	30
PU220-04	G1/2"	66.5	101	48
PU220-06	G3/4"	71	107	48
PU220-08	G1"	96	120	70

# 2Q Series Air Contor Two-Way Valve



Ordering Code

**2Q - 200 - 25**

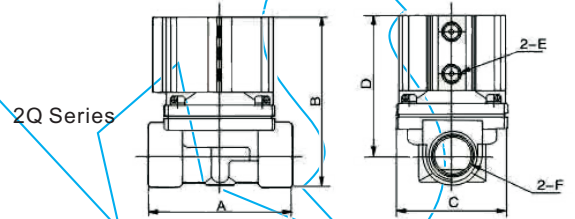
**Specification Code** Aperture of Flow Rate  
 2Q:Two position two way Air Control valve  
 200:22mm  
 300:30mm  
 350:35mm  
 500:50mm

**Port Size**  
 25:G1"  
 40:G1 1/2"  
 50:G2"

Specification

Model	2Q200-25	2Q350-40	2Q500-50
Working Medium	Air, Water, Oil, Gas		
Motion Pattern	Direct Drive Type		
Working Pressure Rang	0-0.7MPa		
Max. Pressure Resistance	1.05MPa		
Control Pressure Rang	0.3-0.6MPa		
(mm)Aperture of Flow Rate	22	35	50
CV Value	12	24	48
Port Size	G1"	G1 1/2"	G2"
Operating Temperature Rang	-5--+100°C		
Material of Body	Brass		
Material of Oil Seal	PTFE		
Operation Fluid Viscosity	50 CST(Below)		
Control Joint Pipe Bore	2-G1/8"	2-G1/4"	2-G1/4"

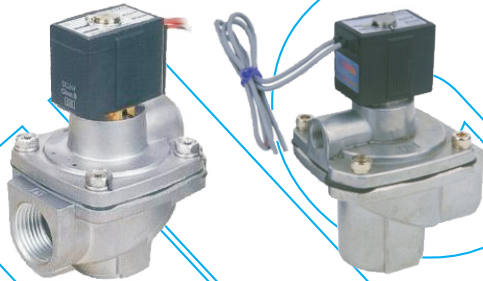
Overall Dimensions



Dimension Sheet

Model	A	B	C	D	E	F
2Q200-25	99	116	57	95	G1/8"	G1"
2Q350-40	123	146	95	116	G1/4"	G1 1/2"
2Q500-50	170	155	118	114	G1/4"	G2"

# VXF Series Solenoid Valve



Ordering Code

**VX2150 - 06 - AC220V**

**Specification Code** Port Size  
 06:G3/4"  
 10:G1"  
 14:G1 1/2"

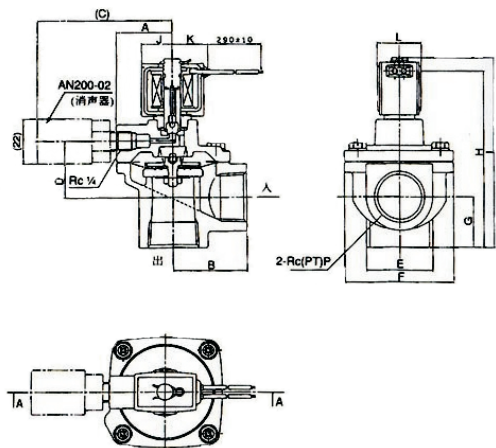
**Standard Voltage**  
 DC12V  
 DC24V  
 AC24V 50Hz/60Hz  
 AC110V 50Hz/60Hz  
 AC220V 50Hz/60Hz  
 AC380V 50Hz/60Hz

**Working Form**  
 Blank:Lead  
 Wire Type  
 D:Jion  
 Counerctor

Specification

Model	VXF2150-06	VX2160-10	VX2280-14
Port Size	G3/4"	G1"	G1 1/2"
Max.Operating Didderential Pressure	1.0MPa		
Min.Operating Differential Pressure	0.031MPa		
Section(mm)	20	27	40
Effective Sectional Area	170	330	810
CV Valve	9.5	18.5	45
Exhaust Orifice	Rc(PT)1/4		

Overall Dimensions



Dimension Sheet

Model	A	B	C	D	E	F	G	H	I	J	K	L	P
VXF2150	33	40	85	32.5	36	66	25	103	113	20	23	30	G3/4"
VXF2160	37	48	89	38	45	74	33.5	118	127	20	23	30	G1"
VXF2280	28	68	81	58	73	110	62.5	174	184	23	25	35	G1-G1/2"

**Fenghua Yuandong Auto Parts Co., Ltd.  
Fenghua Hawks Automatic Equipment Co., Ltd.  
Fenghua Haks Import and Export Co., Ltd.**

**Address: No. 285 Yuelin Road East, Fenghua, Ningbo, Zhejiang Province, 315500, P.R.China**

**Tel: +86-574-88912193**

**Fax: +86-574-88935669**

**Email: [info@cn-hawks.com](mailto:info@cn-hawks.com)**

**Web: [Http:// www.cn-hawks.com](http://www.cn-hawks.com)**

**@2011 Fenghua Yuandong Auto Parts Co., Ltd. all rights reserved.**

**We reserve the rights to modify without notice.**